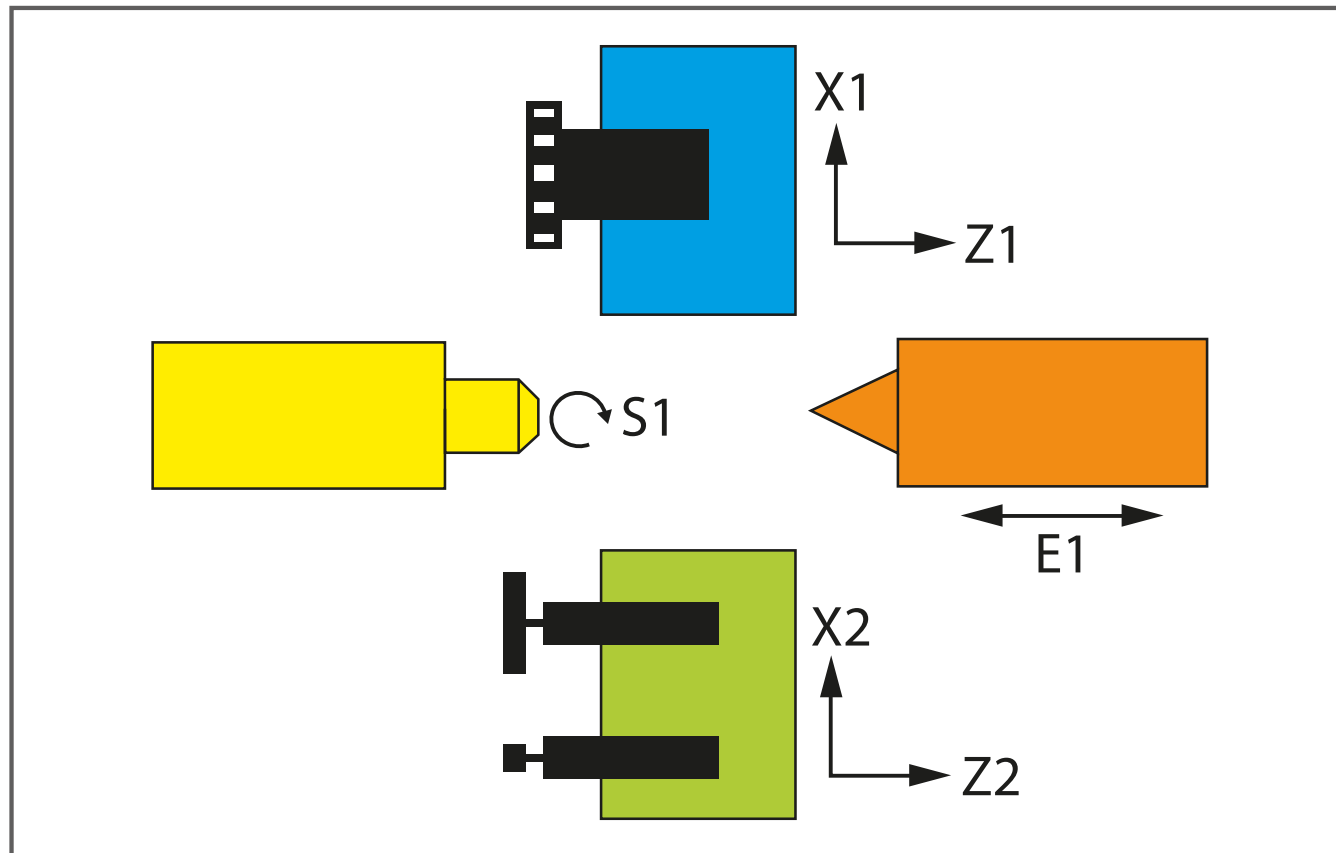
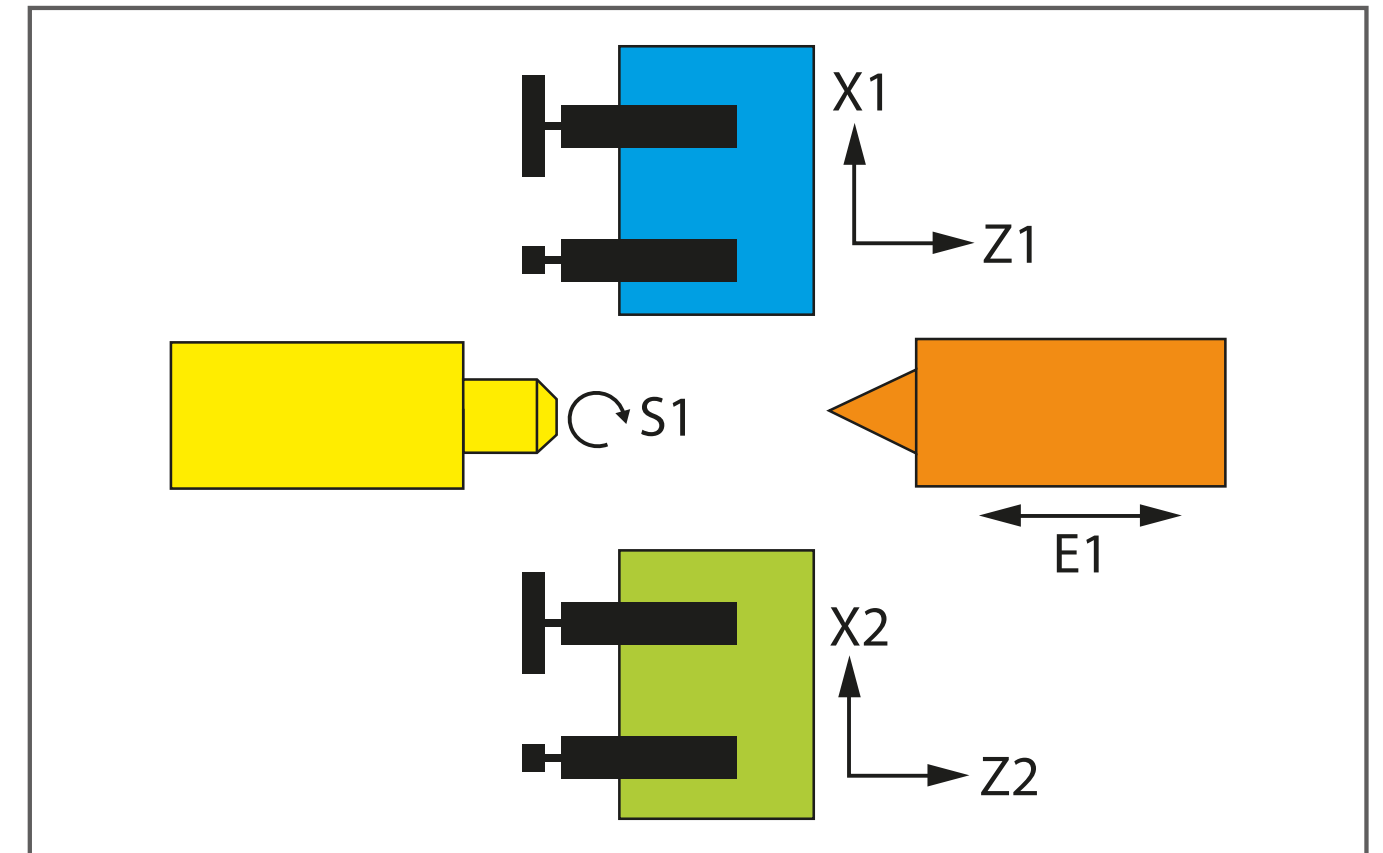


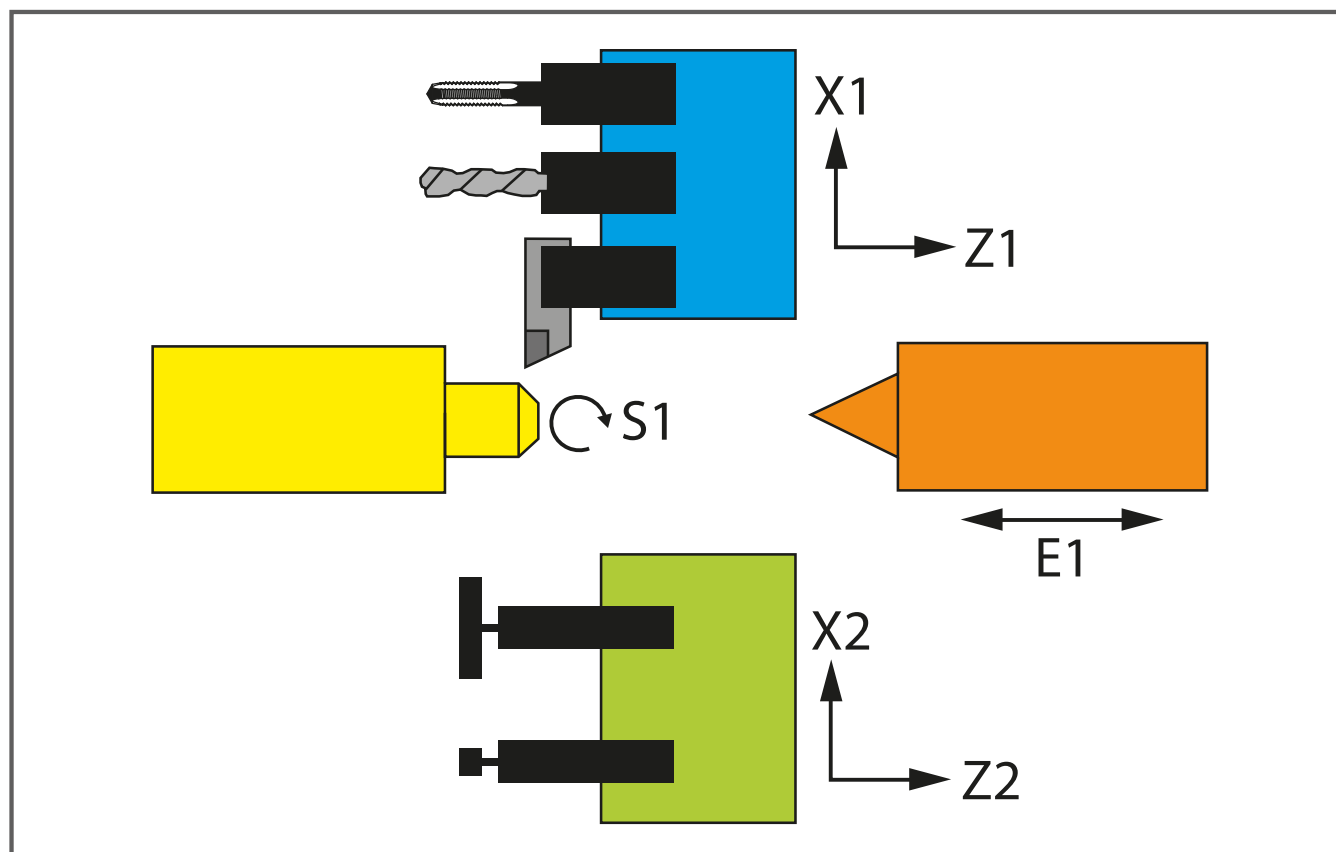
Possible configurations



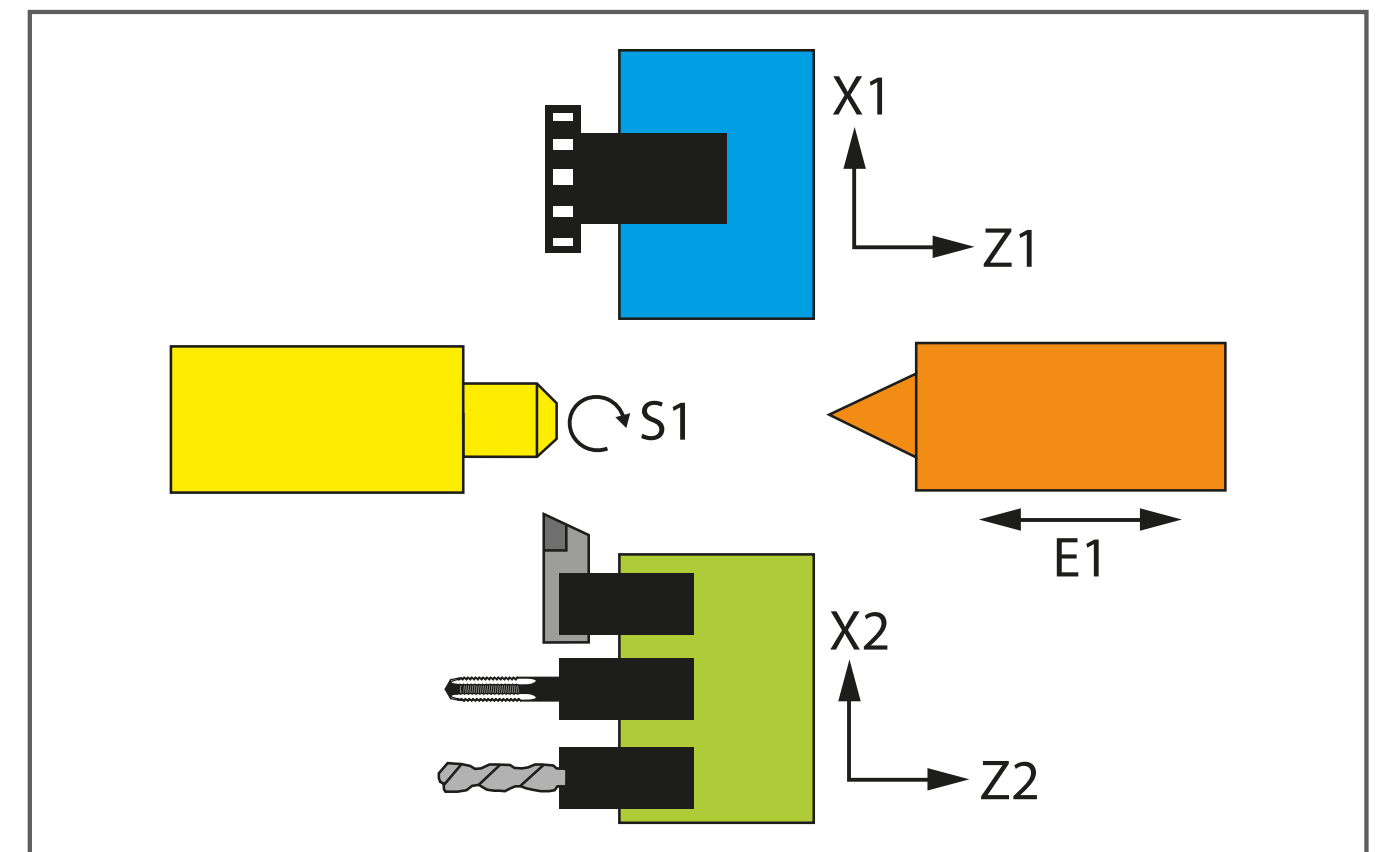
Turret / Grinding



Grinding



Grinding / Linear tooling 102



Turret / Linear tooling 102